


WA604818FSDSS
Industry Standards

UL 508, Type 12
CSA Certified, Type 12
NEMA/EEMAC Type 12



UL Files E64791



CSA File LL66078

FEATURES-SPECIFICATIONS
Applications

Designed to protect electrical and electronic controls, components, and instruments in typical industrial environments. Enclosures protect enclosure equipment from dust, dirt, oil, and dripping water. These enclosures are used in machine tool applications for housing motor starters, drives, contactors, PLC's, as well as a wide variety of other electrical and electronic equipment. The addition of 19-inch rack mounting accessories make these enclosures ideal for providing rugged protection for sensitive rack mounted components in harsh industrial environments. The enclosures are found extensively in automotive, pulp and paper, wood products, textile, and similar industries.

Two styles are available to provide maximum flexibility:

- a) Single Door Single Access
(single door on front)
- b) Two Door Single Access
(two door on front)

Construction

- Fabricated from 12 or 10 gauge steel 304 stainless steel
- Continuously welded seams ground smooth, less holes or knockouts
- Body stiffeners for added rigidity
- Heavy duty lifting eyes for easy handling
- Heavy gauge continuous hinges support each door
- 3 point latching mechanism with an oil-tight key locking handle is provided
- Print pocket is provided
- "Uni-strut" mounting channels are welded horizontally to interior body sides and top, bottom and center to allow optional back panels to be positioned in enclosure. Optional swing, half, full and rack panels can be mounted anywhere along unistrut channel
- Doors are sealed with closed cell neoprene gasket
- Stiffeners are welded to back of two door enclosures to maintain flatness and increase rigidity
- Grounding provisions provided

Finish

- Enclosures are unpainted. All external surfaces have smooth brushed finish
- **Optional** back panels are white polyester powder over phosphatized surfaces

Accessories

- Sub panels (see pages C29-C31, I6-I12)
- Accessories (see pages J1-J19)



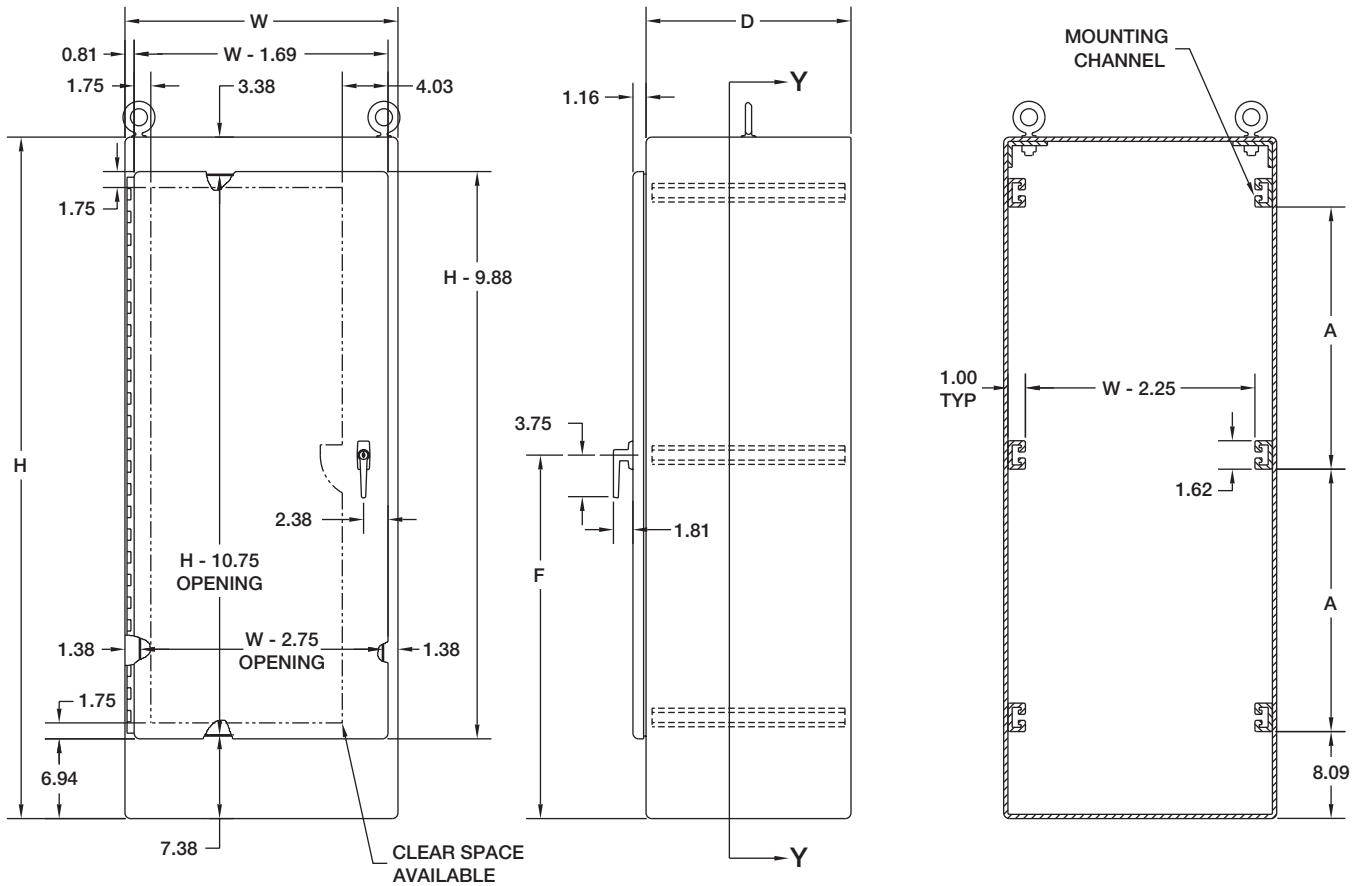
WA-FSSS SERIES SINGLE DOOR FREESTANDING ENCLOSURES				
CATALOG NUMBER	BODY/DOOR STEEL GAUGE	ENCLOSURE SIZE W X H X D	A	F
WA602418FSSS ◀	12/12	60.12x24.12x18.12 (1527x613x460)	23.13 (587)	32.06 (814)
WA722418FSSS ◀	12/12	72.12x24.12x18.12 (1832x613x460)	29.13 (740)	38.06 (967)
WA723018FSSS ◀	12/12	72.12x30.12x18.12 (1832x765x460)	29.13 (740)	38.06 (967)
WA723618FSSS ◀	12/12	72.12x36.12x18.12 (1832x917x460)	29.13 (740)	38.06 (967)
WA902420FSSS ◀	10/10	90.12x24.12x20.12 (2289x613x511)	38.13 (968)	47.06 (1195)
WA903620FSSS ◀	10/10	90.12x36.12x20.12 (2289x917x511)	38.13 (968)	47.06 (1195)
WA603624FSSS ◀	12/12	60.12x36.12x24.12 (1527x917x613)	23.13 (587)	32.06 (814)
WA722424FSSS ◀	12/12	72.12x24.12x24.12 (1832x613x613)	29.13 (740)	38.06 (967)
WA723024FSSS ◀	12/12	72.12x30.12x24.12 (1832x765x613)	29.13 (740)	38.06 (967)
WA723624FSSS ◀	12/12	72.12x36.12x24.12 (1832x917x613)	29.13 (740)	38.06 (967)
WA903624FSSS ◀	10/10	90.12x36.12x24.12 (2289x917x613)	38.13 (968)	47.06 (1195)
WA723630FSSS ◀	12/12	72.12x36.12x30.12 (1832x917x765)	29.13 (740)	38.06 (967)
WA723636FSSS ◀	12/12	72.12x36.12x36.12 (1832x917x917)	29.13 (740)	38.06 (967)
WA903636FSSS ◀	10/10	90.12x36.12x36.12 (2289x917x917)	38.13 (968)	47.06 (1195)

WA-FSDSS SERIES TWO DOOR FREESTANDING ENCLOSURES						
CATALOG NUMBER	BODY/DOOR STEEL GAUGE	ENCLOSURE SIZE H X W X D	A	B	C	E
WA604818FSDSS ◀	10/10	60.12x48.12x18.12 (1527x1222x460)	23.13 (587)	19.88 (505)	20.03 (509)	32.06 (814)
WA724818FSDSS ◀	10/10	72.12x48.12x18.12 (1832x1222x460)	29.13 (740)	23.88 (607)	24.03 (610)	38.06 (967)
WA726018FSDSS ◀	10/10	72.12x60.12x18.12 (1832x1527x460)	29.13 (740)	23.88 (607)	24.03 (610)	38.06 (967)
WA727218FSDSS ◀	10/10	72.12x72.12x18.12 (1832x1832x460)	29.13 (740)	23.88 (607)	24.03 (610)	38.06 (967)
WA904820FSDSS ◀	10/10	90.12x48.12x20.12 (2289x1222x511)	38.13 (968)	29.88 (759)	30.03 (763)	47.06 (1195)
WA907220FSDSS ◀	10/10	90.12x72.12x20.12 (2289x1832x511)	38.13 (968)	29.88 (759)	30.03 (763)	47.06 (1195)
WA724824FSDSS ◀	10/10	72.12x48.12x24.12 (1832x1222x613)	29.13 (740)	23.88 (607)	24.03 (610)	38.06 (967)
WA726024FSDSS ◀	10/10	72.12x60.12x24.12 (1832x1527x613)	29.13 (740)	23.88 (607)	24.03 (610)	38.06 (967)
WA727224FSDSS ◀	10/10	72.12x72.12x24.12 (1832x1832x613)	29.13 (740)	23.88 (607)	24.03 (610)	38.06 (967)
WA907224FSDSS ◀	10/10	90.12x72.12x24.12 (2289x1832x613)	38.13 (968)	29.88 (759)	30.03 (763)	47.06 (1195)
WA726036FSDSS ◀	10/10	72.12x60.12x36.12 (1832x1527x917)	29.13 (740)	23.88 (607)	24.03 (610)	38.06 (967)
WA907236FSDSS ◀	10/10	90.12x72.12x36.12 (2289x1832x917)	38.13 (968)	29.88 (759)	30.03 (763)	47.06 (1195)

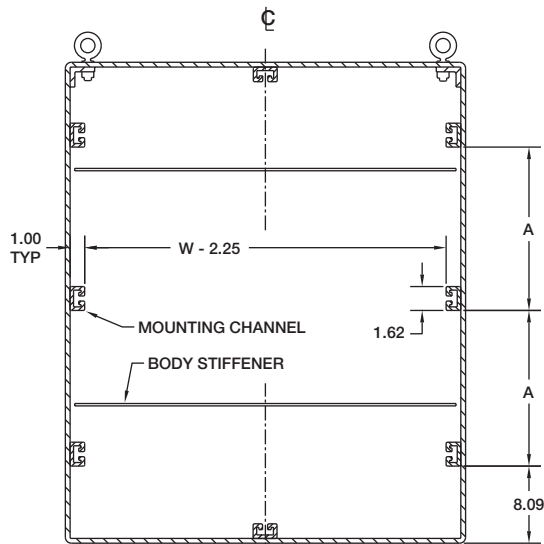
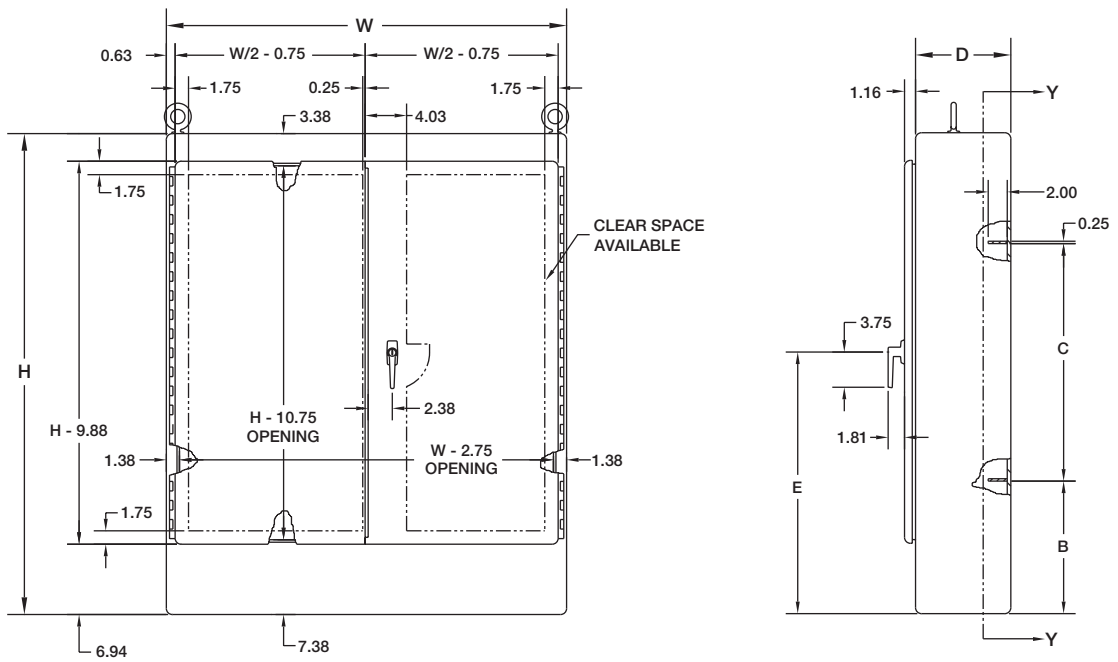
◀ NEW PRODUCT IN 2003



WA-FSSS



WA-FSDSS



SECTION Y-Y



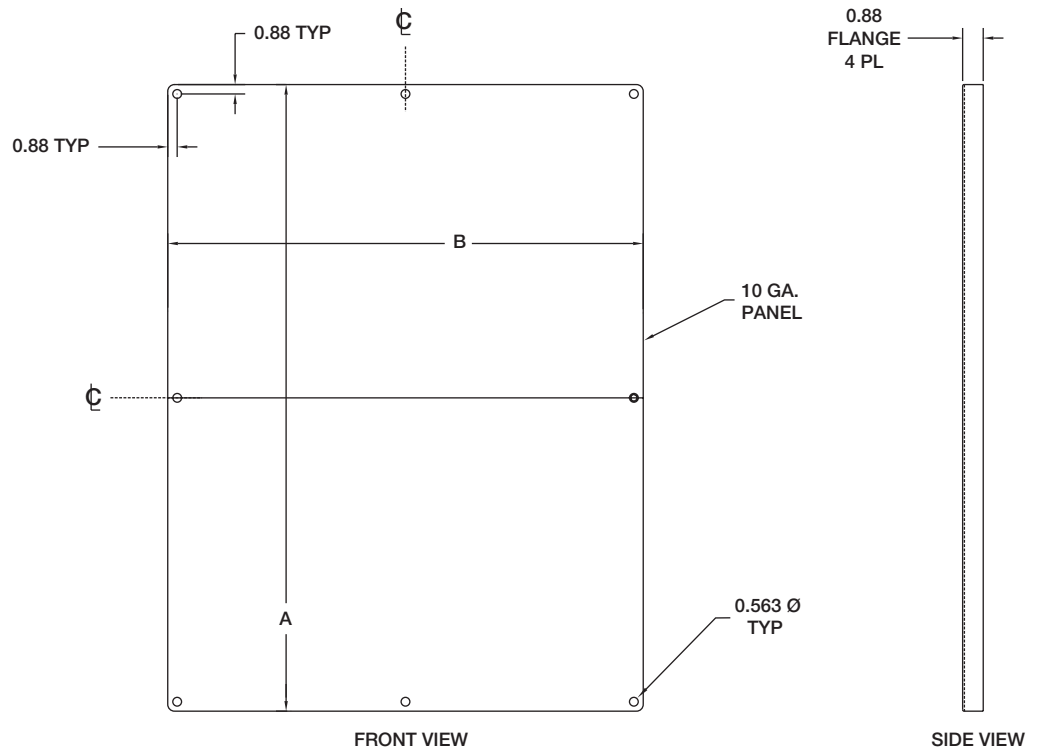
NPDD4242

FEATURES-SPECIFICATIONS

Description

- Steel panels are fabricated from 10 gauge carbon steel
- Panels are painted with a white polyester powder
- Panels are used in NEMA 12 double door floor-mounted enclosures and some 2-door wall-mount enclosures

BACK PANELS FOR DOUBLE DOOR FLOOR-MOUNTED ENCLOSURES	
CATALOG NUMBER PAINTED STEEL (WHITE)	PANEL SIZE A X B
NPDD4242	39.00x39.00 (991x991)
NPDD4260	38.00x56.00 (965x1422)
NPDD4842	45.00x39.00 (1143x991)
NPDD4848	44.00x44.00 (1118x1118)
NPDD5442	50.00x38.00 (1270x965)
NPDD6048	44.00x56.00 (1118x1422)
NPDD6060	56.00x56.00 (1422x1422)
NPDD7260	56.00x68.00 (1422x1727)
NPDD7272	68.00x68.00 (1727x1727)



FEATURES-SPECIFICATIONS

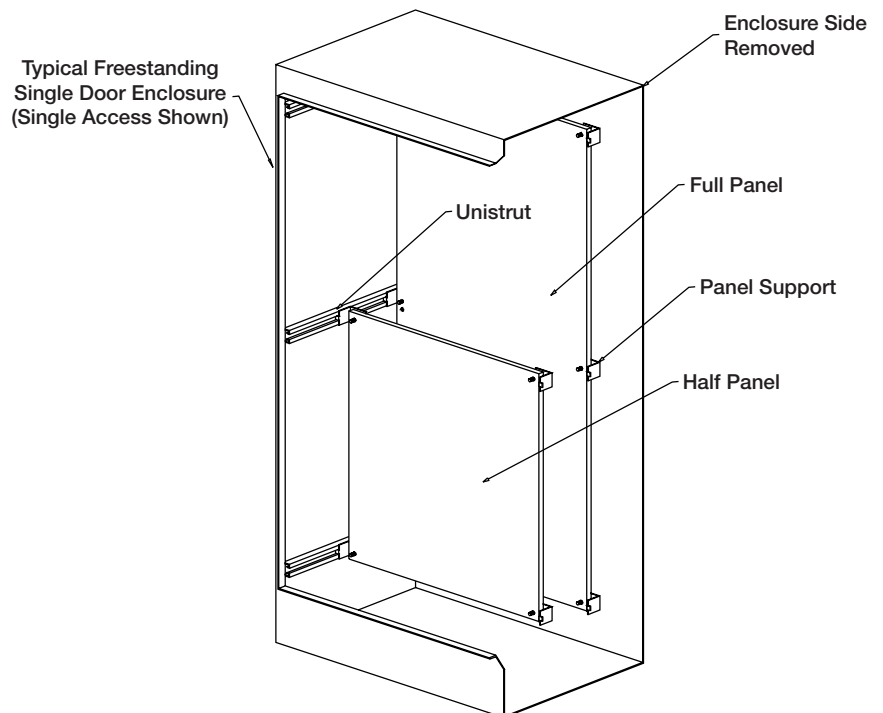
Description

Panels for single-door single-access and single-door dual-access, freestanding NEMA 12, freestanding NEMA 4 and freestanding stainless steel enclosures.

- Panels are 10 or 12 gauge steel and can be positioned anywhere along horizontal depth-wise mounting channels
- Half-length panels can be located in the upper or lower portion of the enclosure
- Mounting hardware is furnished with each panel
- Panels are painted with a white polyester powder
- Panels may be used in two-door enclosures along with other free-standing accessories

BACK PANELS FOR SINGLE DOOR FREESTANDING ENCLOSURES			
CATALOG NUMBER	STEEL GAUGE	PANEL SIZE A X B	PANEL TYPE
WA60P24F1	12	48.00x20.00 (1219x508)	Full
WA60P24F2	12	24.88x20.00 (632x508)	Half
WA72P24F1	12	60.00x20.00 (1524x508)	Full
WA72P24F2	12	30.88x20.00 (784x508)	Half
WA90P24F1	12	78.00x20.00 (1981x508)	Full
WA90P24F2	12	39.88x20.00 (1013x508)	Half
WA72P30F1	12	60.00x26.00 (1524x660)	Full
WA72P30F2	12	30.88x26.00 (784x660)	Half
WA60P36F1	12	48.00x32.00 (1219x813)	Full
WA60P36F2	12	24.88x32.00 (632x813)	Half
WA72P36F1	12	60.00x32.00 (1524x813)	Full
WA72P36F2	12	30.88x32.00 (784x813)	Half
WA90P36F1	12	78.00x32.00 (1981x813)	Full
WA90P36F2	12	39.88x32.00 (1013x813)	Half

NOTE: If used in a Two Door Enclosure, a center panel support must be ordered.
NOTE: Suffix F1 = Full Panel, and F2 = Half Panel.



FEATURES-SPECIFICATIONS
Description

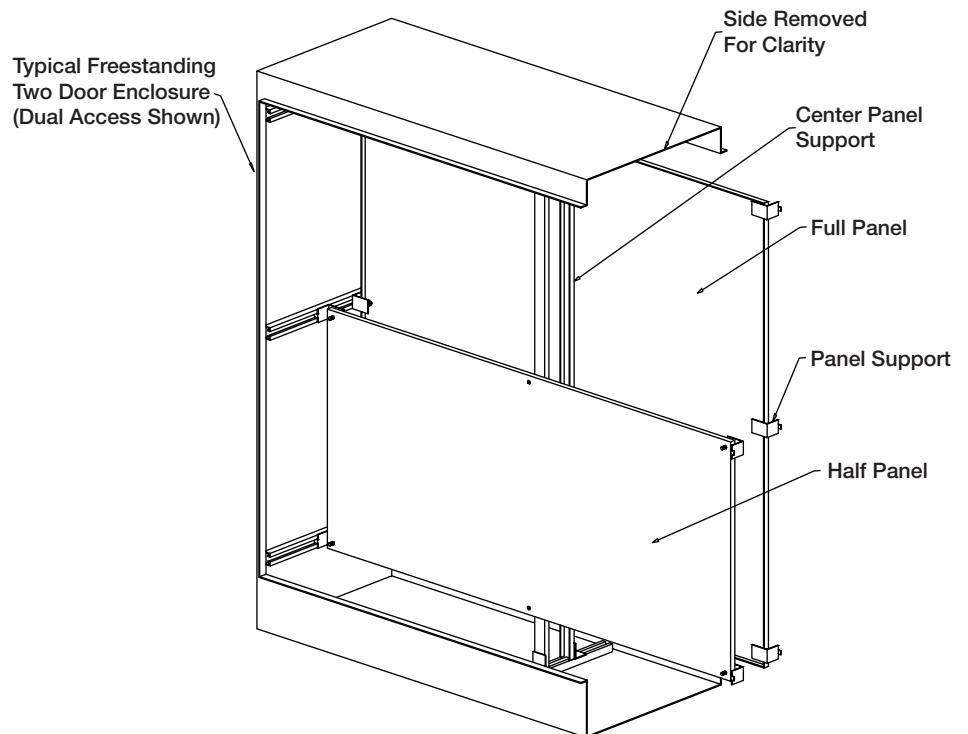
Panels for two-door single-access and two-door dual-access Free-standing NEMA 12 enclosures.

- Panels are 10 gauge steel and can be positioned anywhere along horizontal depth-wise mounting channels
- Half-length panels can be located in the upper or lower portion of the enclosure
- Mounting hardware is furnished with each panel
- Panels are painted with a white polyester powder

BACK PANELS FOR TWO DOOR FREESTANDING ENCLOSURES			
CATALOG NUMBER	STEEL GAUGE	PANEL SIZE A X B	PANEL TYPE
WA60P48F1	10	48.00x44.00 (1219x1118)	Full
WA60P48F2	10	24.88x44.00 (632x1118)	Half
WA72P48F1	10	60.00x44.00 (1524x1118)	Full
WA72P48F2	10	30.88x44.00 (784x1118)	Half
WA72P60F1	10	60.00x56.00 (1524x1422)	Full
WA72P60F2	10	30.88x56.00 (784x1422)	Half
WA72P72F1	10	60.00x68.00 (1524x1727)	Full
WA72P72F2	10	30.88x68.00 (784x1727)	Half
WA90P48F1	10	78.00x44.00 (1981x1118)	Full
WA90P48F2	10	39.88x44.00 (1013x1118)	Half
WA90P72F1	10	78.00x68.00 (1981x1727)	Full
WA90P72F2	10	39.88x68.00 (1013x1727)	Half

NOTE: Center Panel support is supplied with a regular Two Door Enclosure Panel. This support is used only as a brace. It is not intended to be used as a support for Single Door Panels, relay racks, etc.

NOTE: Suffix F1 = Full Panel, and F2 = Half Panel.



FEATURES-SPECIFICATIONS

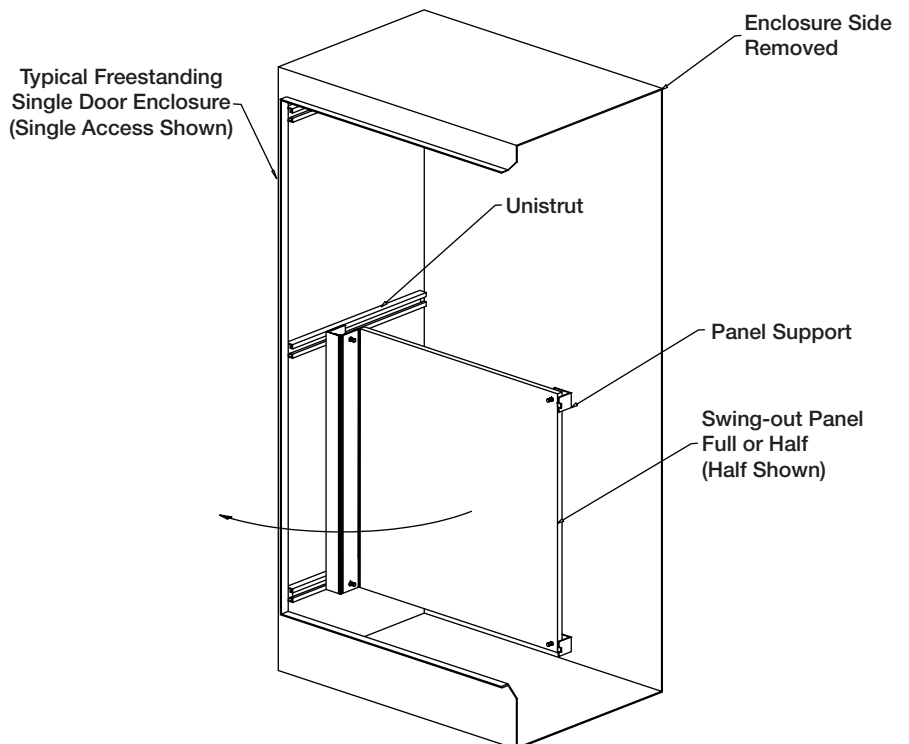
Description

Panels for Free Standing NEMA 12 Enclosures and Free Standing NEMA 4 Enclosures.

- Full-length and half-length swing-out panels are available
- Half-length panels can be located in the upper or lower portion of the enclosures
- Mounting can be on either side of the enclosure
- Mounting hardware is furnished with each panel
- Panels are fabricated from 12 gauge steel
- Panels may be used in two-door enclosures along with other free-standing accessories
- Panels are painted with a white polyester powder

SWING-OUT PANELS FOR FREESTANDING ENCLOSURES			
CATALOG NUMBER	STEEL GAUGE	PANEL SIZE A X B	PANEL TYPE
WA60SP24F3	12	48.00x19.00 (1219x483)	Full
WA60SP24F4	12	24.88x19.00 (632x483)	Half
WA72SP24F3	12	60.00x19.00 (1524x483)	Full
WA72SP24F4	12	30.88x19.00 (784x483)	Half
WA72SP30F3	12	60.00x25.00 (1524x635)	Full
WA72SP30F4	12	30.88x25.00 (784x635)	Half
WA60SP36F3	12	48.00x31.00 (1219x787)	Full
WA60SP36F4	12	24.88x31.00 (632x787)	Half
WA72SP36F3	12	60.00x31.00 (1524x787)	Full
WA72SP36F4	12	30.88x31.00 (784x787)	Half
WA90SP36F3	12	78.00x31.00 (1981x787)	Full
WA90SP36F4	12	39.88x31.00 (1013x787)	Half

NOTE: If used in a Two Door Enclosure, a center panel support must be ordered.
NOTE: Suffix F3 = Full Panel, and F4 = Half Panel.

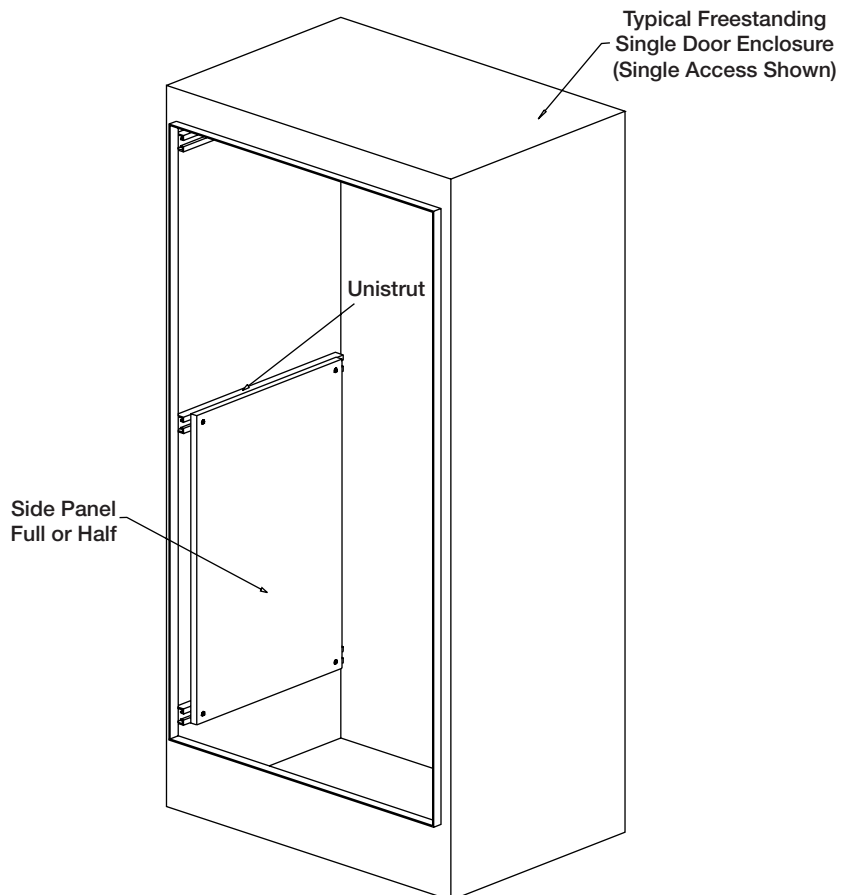


FEATURES-SPECIFICATIONS
Description

Panels for Freestanding NEMA 12 and Freestanding NEMA 4 Enclosures.

- Panels are fabricated from 12 gauge steel
- They provide extra mounting space on the sides of the enclosures
- Panels attach securely to mounting channels
- Panel mounting hardware is included
- Panels are painted with a white polyester powder

SIDE-MOUNT PANELS FOR FREESTANDING ENCLOSURES		
CATALOG NUMBER	STEEL GAUGE	PANEL SIZE A X B
WA60SMP14	12	48.00x14.00 (1219x356)
WA72SMP14	12	60.00x14.00 (1524x356)
WA72SMP20	12	60.00x20.00 (1524x508)
WA90SMP14	12	78.00x14.00 (1981x356)
WA90SMP20	12	78.00x20.00 (1981x508)



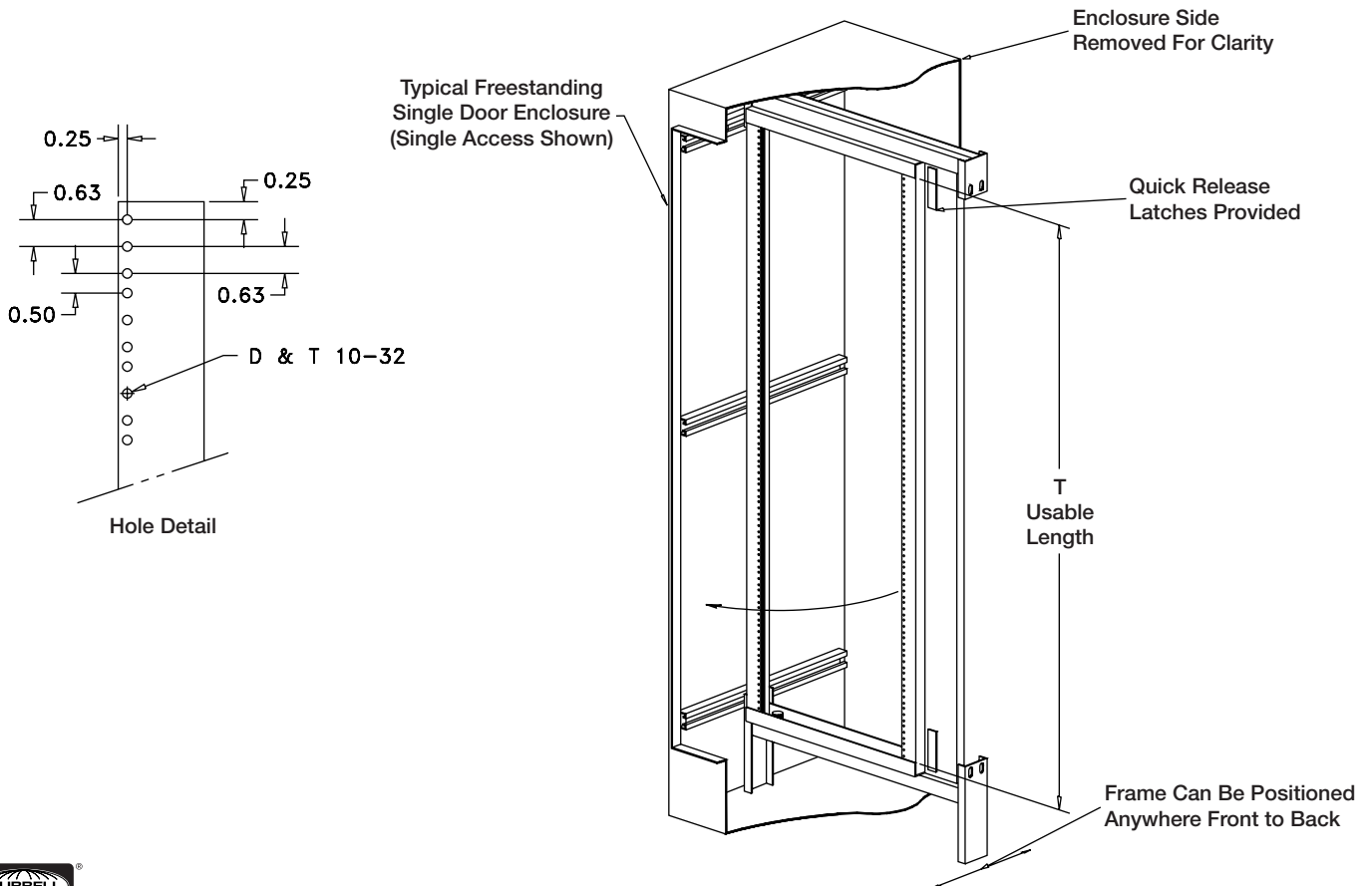
FEATURES-SPECIFICATIONS

Description

- Fabricated from 10 gauge steel, these swing-out rack mounting frames are available for mounting rack mounting equipment. Mounting holes are tapped with #10-32 threads spaced per E.I.A. standard
- Panels are painted with a white polyester powder

SWING-OUT RACKS FOR FREESTANDING ENCLOSURES			
CATALOG NUMBER	FITS ENCLOSURE H X W	RACK SIZE	USABLE ANGLE LENGTH "T"
WA7230SOF19	72.00x30.00 (1829x762)	19.00 (483)	57.88 (1470)
WA7236SOF19	72.00x36.00 (1829x914)	19.00 (483)	57.88 (1470)
WA9036SOF19	90.00x36.00 (2286x914)	19.00 (483)	75.38 (1915)

NOTE: If used in a Two Door Enclosure, a center panel support must be ordered.



FEATURES-SPECIFICATIONS

Type RP

For Free Standing NEMA 12 Enclosures

- Fabricated from 10 gauge steel
- Full-length or half-length rack mounting angles are available for mounting rack-mounted equipment
- If used in Two-Door Enclosures a center panel support must be ordered
- Finish is a white polyester powder

Type RA

For all Free Standing NEMA 12 and NEMA 4 Enclosures

- Designed for mounting 19 inch and 24 inch rack mounted equipment
- Through holes (7/32 Dia.) are provided and require a W1032N clip nut (must be ordered separately)
- Rack angles are mounted on unistrut within the Free Standing enclosures and are adjustable
- If used in Two-Door Enclosures a center panel support must be ordered
- Finish is a white polyester powder

RELAY RACK ANGLES		
CATALOG NUMBER	STEEL GAUGE	LENGTH "L"
WA60RP24F5	10	49.00 (1245)
WA60RP24F6	10	26.25 (667)
WA72RP24F5	10	61.25 (1556)
WA72RP24F6	10	31.50 (800)
WA72RP30F5	10	61.25 (1556)
WA72RP30F6	10 </td <td>31.50 (800)</td>	31.50 (800)
WA90RP24F5	10	78.75 (2000)
WA90RP24F6	10	40.25 (1022)

WA-RA RELAY RACK ANGLES			
CATALOG NUMBER	FITS ENCLOSURE H X W	RACK SIZE	ANGLE LENGTH "L"
WA60RA19TH	60.00x24.00 (1524x610)	19.00 (483)	49.00 (1245)
WA72RA19TH	72.00x24.00 (1829x610)	19.00 (483)	61.25 (1556)
WA72RA24TH	72.00x30.00 (1829x762)	24.00 (610)	61.25 (1556)
WA90RA19TH	90.00x24.00 (2286x610)	19.00 (483)	78.78 (2001)

NOTE: If used in a Two Door Enclosure, a center panel support must be ordered.

